

B R O A D B A N D O P T I C A L I S O L A T O R S

DESCRIPTION

ISOWAVE's Broadband Optical Isolators are available in a variety of wavelengths and offer a high isolation over these wavelength regions. These isolators are designed for use with the many tunable, multi-line or multiple sources, such as Diode, Ti:Sapphire, and Dye Lasers where isolator adjustments might be inconvenient or impossible. Although no tuning is required, these devices can be easily adjusted using a lockable mechanism to maximize performance for a specific wavelength or ambient temperature.

ISOWAVE offers a choice of calcite Glan Taylor polarizers for medium power or calcite Glan Taylor polarizers with dual, AR coated escape ports for high power.

FEATURES

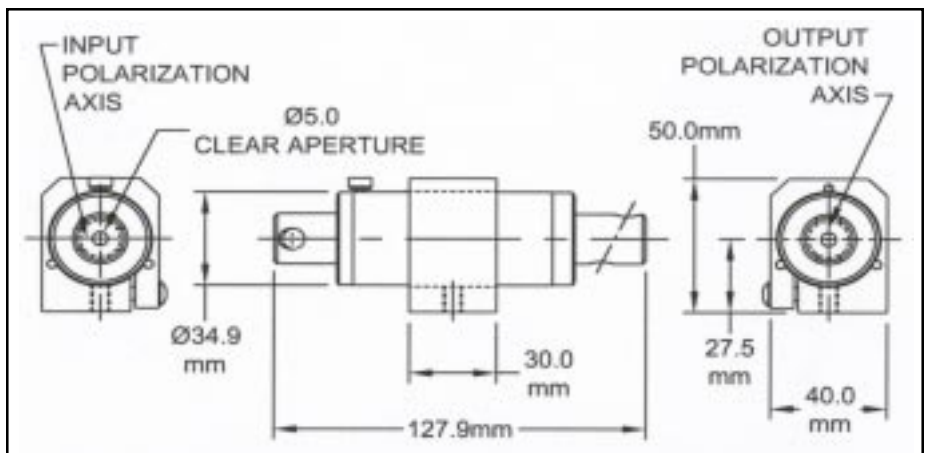
- Wide Instantaneous Bandwidth
- No Tuning Required
- Mounting Collar Included
- High Isolation
- Low Insertion Loss
- High Power Option

APPLICATIONS

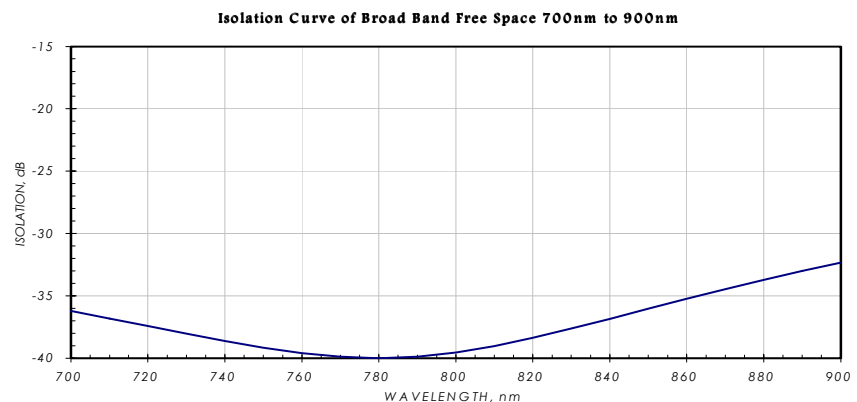
- Optical Test Measurement
- Tunable Laser Modules
- Optical Instrumentation

64 Harding Avenue
Dover, NJ 07801
† 973.328.7000
f 973.328.7036
info@isowave.com
www.isowave.com

OUTLINE DRAWING



THEORETICAL ISOLATION CURVE



ISOWAVE

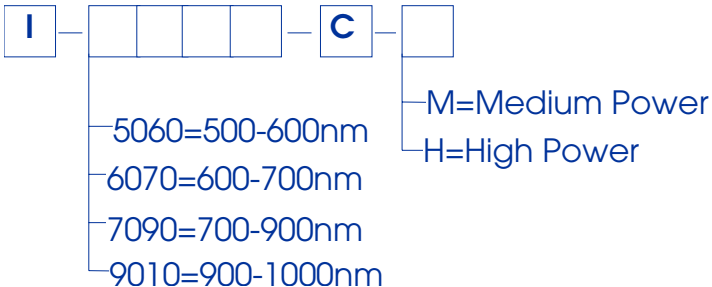
ISOWAVE



SPECIFICATIONS

	I-5060C	I-6070C	I-7090C	I-9010C
Wavelength Range	500-600nm	600-700nm	700-900nm	900-1000nm
Isolation: Band Center (typical)	≥40dB			
Isolation: Band Center (minimum)	38dB			
Isolation: Band Edge (typical)	≥33dB	≥35dB	≥32dB	≥32dB
Isolation: Band Edge (minimum)	31dB	33dB	30dB	30dB
Insertion Loss: Band Center (typical)	≤0.6dB			
Insertion Loss: Band Center (maximum)	0.75dB			
Insertion Loss: Band Edge (typical)	≤1.2dB	≤0.9dB	≤1.5dB	≤1.5dB
Insertion Loss: Band Edge (maximum)	1.4dB	1.1dB	1.8dB	1.8dB
Clear Aperture	5mm			
Optical Path Length				
Rotator	91.9mm	93.5mm	99.8mm	122.8mm
Medium Power	119.3mm	120.9mm	127.1mm	163.6mm
High Power	138.3mm	139.9mm	146.1mm	216.2mm
Housing Length				
Rotator	86.4mm		100.8mm	
Medium Power	106.0mm		133.8mm	
High Power	125.0mm		186.4mm	
Housing Diameter	34.9mm		60.3mm	
Polarizer Type	Glan Taylor			
Medium Power	Glan Taylor			
High Power	Glan Taylor with Dual Escape Ports			
Polarization of Input	Indicated on Polarizer Housing			

ORDERING INFORMATION



64 Harding Avenue
Dover, NJ 07801
t 973.328.7000
f 973.328.7036
info@isowave.com

WWW.ISOWAVE.COM