

FREE SPACE SEMI DOUBLE OPTICAL ISOLATORS

DESCRIPTION

ISOWAVE's semi-double models are available in a variety of wavelengths. These isolators are designed for use with any tunable or single line source where high isolation is required. ISOWAVE offers these models with medium power, calcite Glan Taylor polarizers.

FEATURES

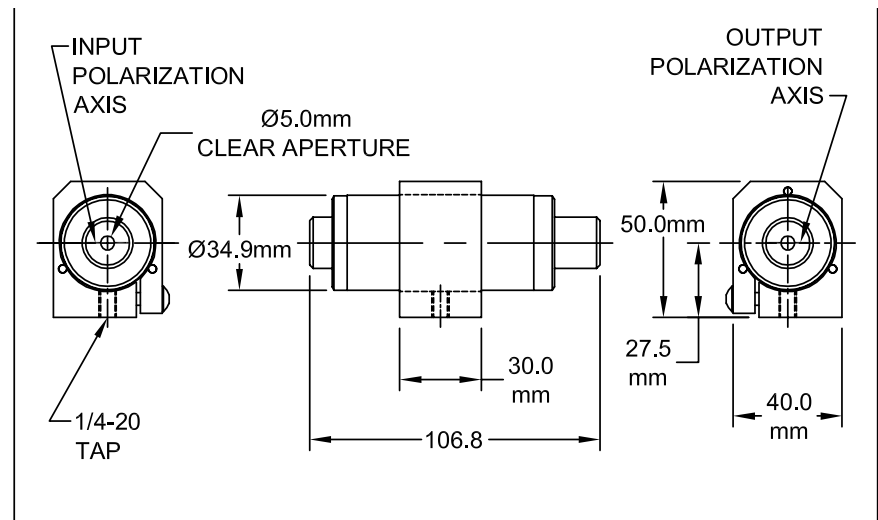
High Isolation
Low Insertion Loss

APPLICATIONS

Optical Test Measurement
Tunable Laser Modules
Optical Instrumentation

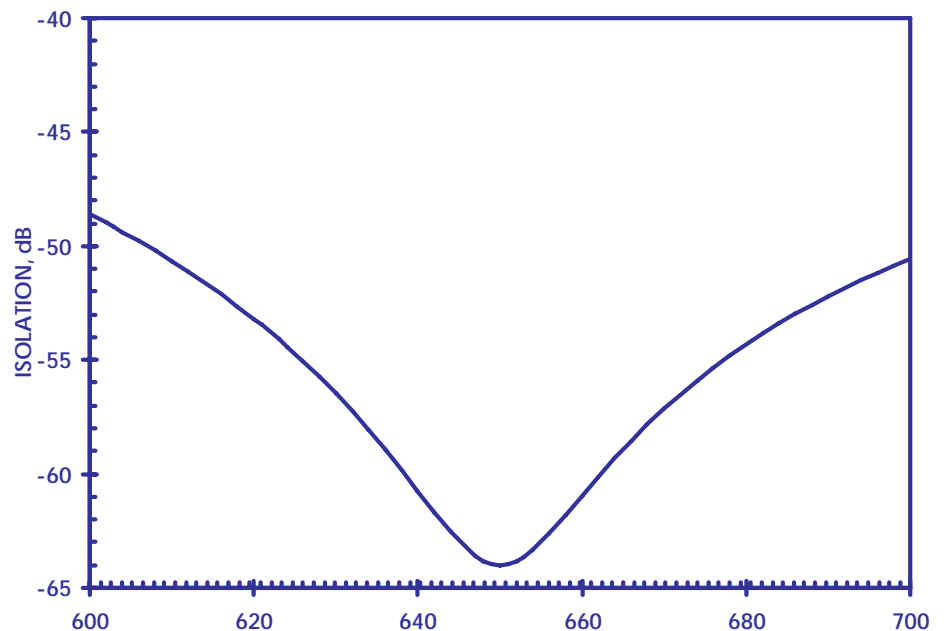
64 Harding Avenue
Dover, NJ 07801
t 973.328.7000
f 973.328.7036
info@isowave.com
www.isowave.com

OUTLINE DRAWING



THEORETICAL ISOLATION CURVE

Model # I-67-SD-5M tuned at 650nm



ISOWAVE



ISOWAVE



SPECIFICATIONS

	I-67-SD-5M	I-80-SD-5M	I-98-SD-5M
Wavelength Range	600-700nm	700-900nm	940-1000nm
Center Wavelength	630-670nm	780-850nm	950-990nm
Isolation (minimum)	60dB		
Insertion Loss (maximum)	1.5dB		
Clear Aperture	5mm		
Polarization of Input	Indicated on Polarizer Housing		
Polarization of Output	0° to Input		
Housing Length	106.0mm	132.0mm	
Housing Diameter	34.9mm	60.3mm	
Polarizer Type: Medium Power	Glan Taylor, $\leq 50\text{W}/\text{cm}^2$ cw, $\leq 50\text{MW}/\text{cm}^2$ pulse		
Operating Temperature	0 to 70°C		
Storage Temperature	-20 to +70°C		

For custom configurations or specifications, please contact an ISOWAVE sales engineer.



ORDERING INFORMATION

I — [] — S D — 5 M

- 67 = 600-700nm
- 80 = 700-900nm
- 98 = 940-1000nm

64 Harding Avenue
Dover, NJ 07801
t 973.328.7000
f 973.328.7036
info@isowave.com

WWW.ISOWAVE.COM