

SHORTPAK OPTICAL ISOLATORS



DESCRIPTION

ISOWAVE's new ShortPak MicroMini Optical Isolators offer new opportunities for Laser Diode manufacturers, requiring an in-package ultra high performance micro-mini isolator. The MicroMini isolators incorporate highly efficient optical components into a micro-miniature package. The ShortPak is offered in both C and L bands.

FEATURES

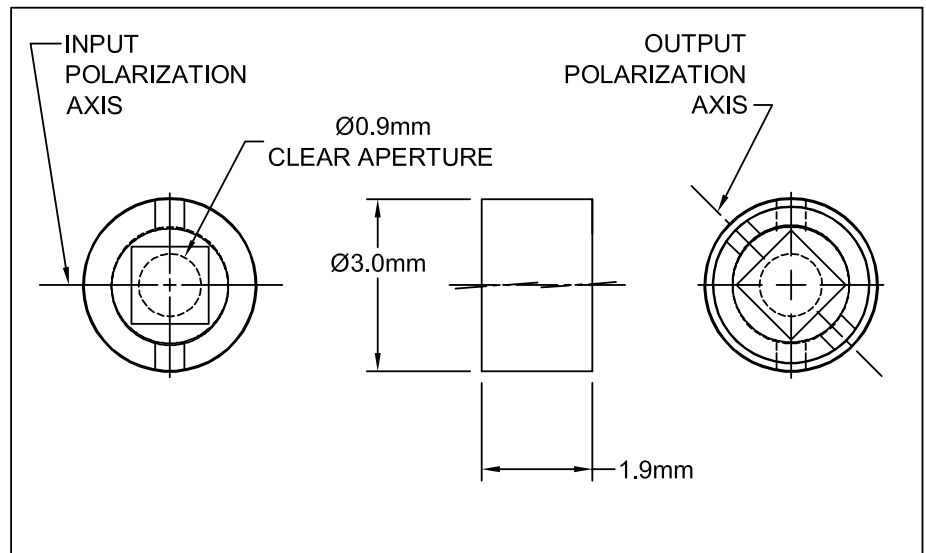
- Low Insertion Loss
- High Isolation
- Micro-Miniature Size
- Broad Bandwidth
- Wide Temperature Range
- Polarization Alignment

APPLICATIONS

- Semiconductor Laser Modules
- Tunable Laser Modules
- Small Form Factor Laser Modules

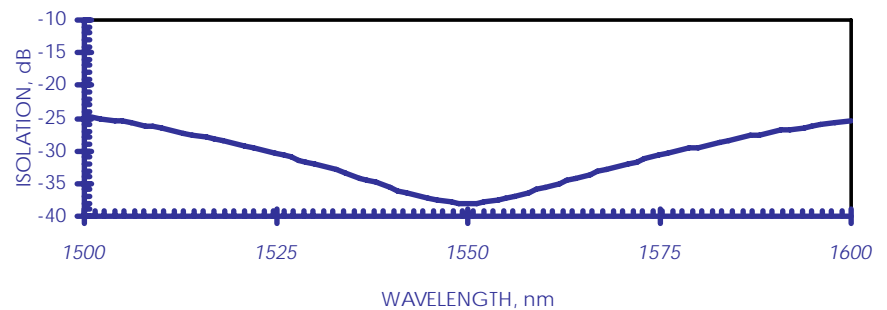
64 Harding Avenue
Dover, NJ 07801
t 973.328.7000
f 973.328.7036
info@isowave.com
www.isowave.com

OUTLINE DRAWING



THEORETICAL ISOLATION CURVE

Model# I-15-SP



ISOWAVE



ISOWAVE

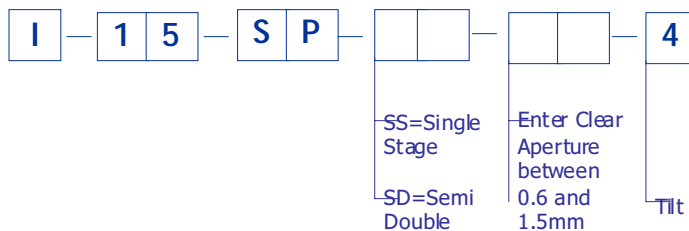


SPECIFICATIONS

| | SP-SS | SP-SD |
|--------------------------------|--|---|
| Wavelength | 1310nm 1550nm | |
| Peak Isolation (typical) | $\geq 40\text{dB}$ | $\geq 60\text{dB}$ |
| Isolation over wavelength | $\geq 20\text{dB}$ | $\geq 45\text{dB}$ |
| Insertion Loss (typical) | $\leq 0.1\text{dB}$ | $\leq 0.4\text{dB}$ |
| Insertion Loss over wavelength | $\leq 0.4\text{dB}$ | $\leq 0.6\text{dB}$ |
| Clear Aperture | 0.6-1.4mm | |
| Bandwidth | $\pm 20\text{nm}$ | $\pm 15\text{nm}$ |
| Diameter (nominal) | 3mm | |
| Length | 1.9mm | 3.5mm |
| Operating Temperature | -20°C to $+70^{\circ}\text{C}$ | 0°C to 70°C |
| Storage Temperature | -40°C to $+85^{\circ}\text{C}$ | |

¹Wavelengths from 1300-1620nm are also available.
For custom configurations or specifications, please contact an ISOWAVE sales engineer.

ORDERING INFORMATION



64 Harding Avenue
Dover, NJ 07801
t 973.328.7000
f 973.328.7036
info@isowave.com

WWW.ISOWAVE.COM